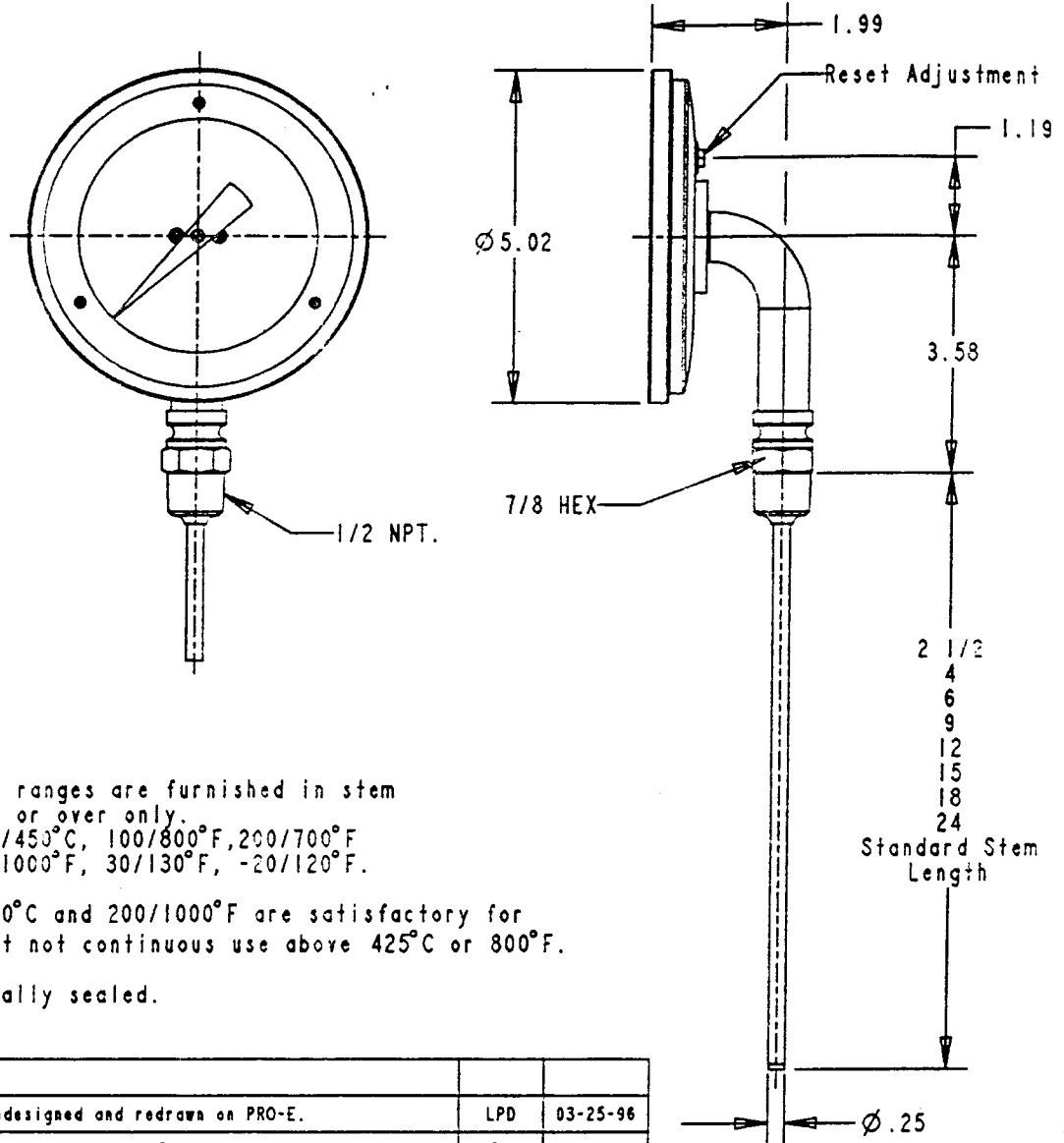


This drawing includes confidential information which is the property of DRESSER INDUSTRIES INC. This copy is loaned for a specific purpose, with the understanding that it will not be reproduced used for any other purpose or disclosed to others, and it will be returned on demand.

DRESSER INDUSTRIES

250 EAST MAIN STREET
STRATFORD CT. 06497



Note-1
The following ranges are furnished in stem lengths of 4" or over only.
100/500°C, 50/450°C, 100/800°F, 200/700°F
0/100°F, 200/1000°F, 30/130°F, -20/120°F.

Note-2
Ranges 100/500°C and 200/1000°F are satisfactory for occasional but not continuous use above 425°C or 800°F.

Note-3
Unit hermetically sealed.

Rev. Ltr.	C/N No.	Description	By	Date
A	7565	Redesigned and redrawn on PRO-E.	LPD	03-25-96

This print certified correct for		General Dimension		
Customers Name		50 EI60L Hermetically Sealed Bimetal Dial Thermometer		
Customers Order No.	Drawn: LPD	Date 03-25-96	Rev. Ltr. A	Date of issue
Dresser Order No.	Checked: LPD	Date 03-25-96		
Certified By	Date	Approved J. T.	Date 4-3-96	NGP70